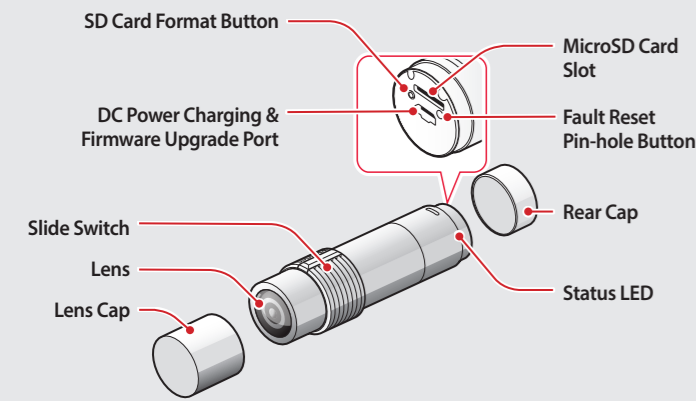


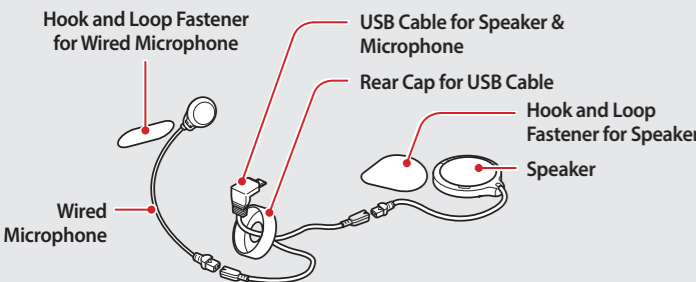
PREPARATION

Getting to Know the Prism Tube Layout

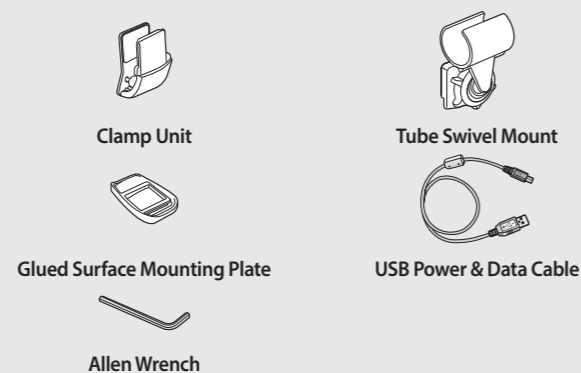
Camera



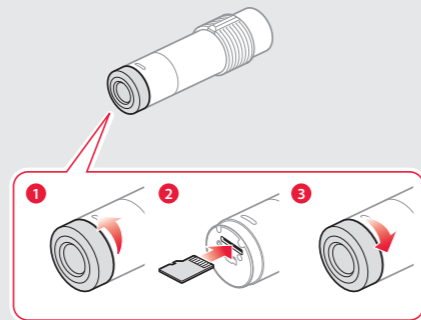
Speaker and Microphone



Others



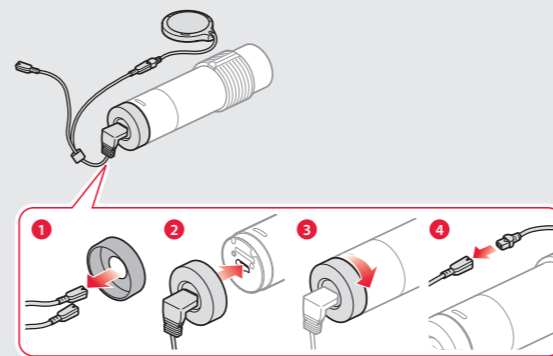
Inserting a MicroSD Card



Note Optional microSD cards up to 32 GB are compatible with the Prism Tube.

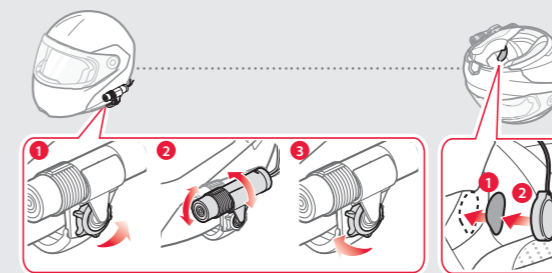
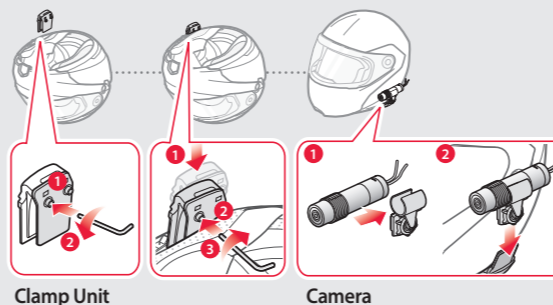
Installing the Prism Tube System

Connecting the Speaker



Note Connect the speaker cable to the USB cable's black connector.

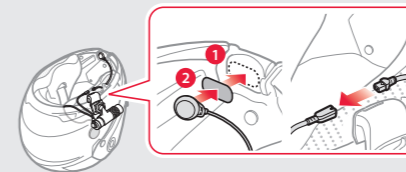
Mounting



Note

- The tube swivel mount wheel must be fully tightened after adjusting the camera angle.
- Make sure the tip of the slide switch faces upwards and is parallel to the ground.
- You can use the glued surface mounting plate to attach the clamp unit to the surface of the helmet. Full adhesion is achieved after 24 hours.

Connecting the Wired Microphone



To record your voice more clearly, connect the wired microphone.

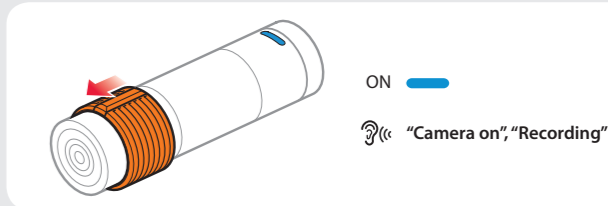
Note

- Connect the wired microphone cable to the USB cable's red connector.
- The camera's internal microphone automatically turns on when the wired microphone is disconnected.

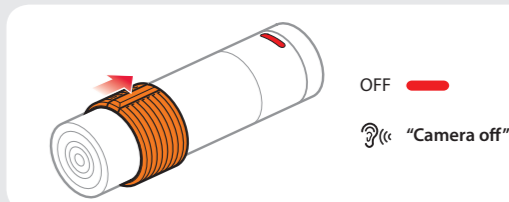
BASIC OPERATION

Turning the Camera On or Off

To Turn On the Camera and Start Recording



To Turn Off the Camera and Stop Recording



Note

- Recording will start shortly after the camera is turned on. Recording stops shortly before the camera is turned off.
- A microSD card must be inserted to record video.

BATTERY

Checking the Battery Level



Blinking		70~100%
Blinking		30~70%
Blinking		0~30%

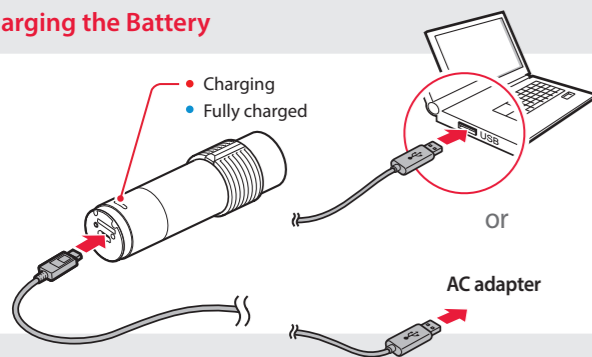
Turn on the camera and check the battery level via the Status LED.

Low Battery Warning



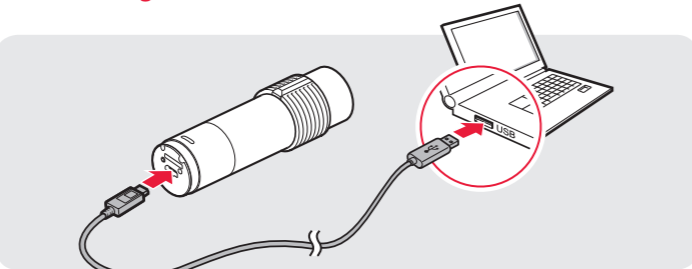
"Battery low"

Charging the Battery



TRANSFER

Transferring Video Files



Note Turn off the camera and connect it to your PC via a USB cable. Your PC should recognize the camera as a removable device.

FIRMWARE UPGRADE

To install the latest firmware of the camera, follow the directions below.

1. Turn off the camera and connect it to your PC via a USB cable.
2. Download the latest firmware from www.sena.com.
3. Move the downloaded firmware file into the root folder of the camera.
4. Disconnect the camera from your PC and restart the camera. The firmware will be installed automatically.

DATE AND TIME SETTING

To set the date and time of the camera, follow the directions below.

1. Turn off the camera and connect it to your PC via a USB cable.
2. Create a blank text file (.txt) with a name "timeset.txt" in the root folder of the camera.
3. Disconnect the camera from your PC and restart the camera. The camera will automatically take the date and time at which the text file was created.

TROUBLESHOOTING

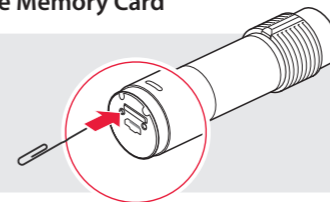
Memory Card

When Memory is Full



"Memory is full"

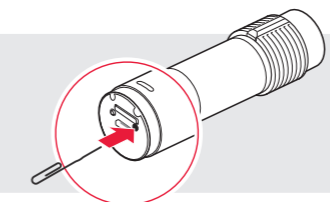
Formatting the Memory Card



To format the memory card, turn on the camera and press and hold the SD Card Format Button until the LED alternates red and blue.

Note It is recommended to format the SD Card using this method. If you are formatting the SD Card using a PC, then set the allocation unit size to 32KB in FAT32.

Fault Reset



If the Prism Tube is not working properly for any reason, push the pin-hole reset button located on the back of the camera while it is turned on.



Sena Technologies, Inc.

www.sena.com

Customer Support: support@sena.com

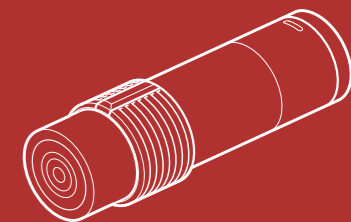
E-mail: support@sena.com

SENA

PRISM TUBE

Quick Start Guide

Action Camera for Motorcycle Helmet



You can view other Sena products at the Sena website: www.sena.com.