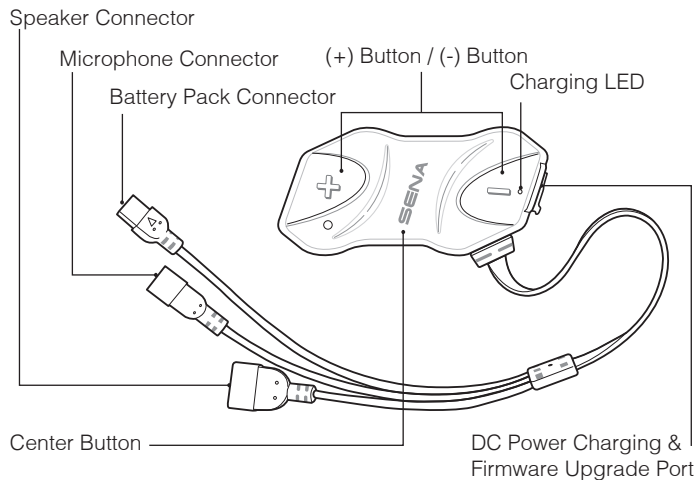


SMH10R Quick Start Guide

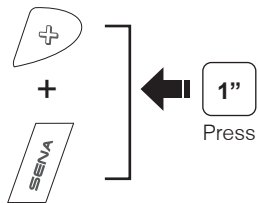
A full version of the manual is downloadable at www.sena.com.



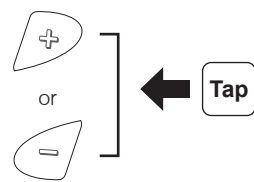
Button Operation

- Tapping
- Press for 1 sec
- Double Tapping
- Press and Hold

Power On/Off



Volume Adjustment



Bluetooth Pairing Phone, MP3 and GPS



Mobile Phone

- Answer
- End
- Voice Command
- Speed Dial
- Reject

Music



1"

Press



1"

Press



1"

Press

Battery Check



Power On



70 ~ 100%

Status LED



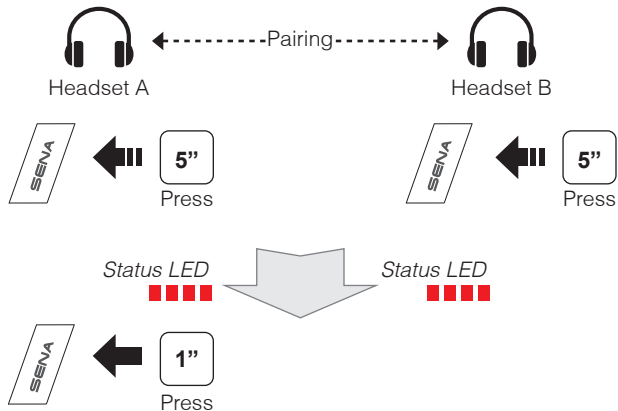
30 ~ 70%



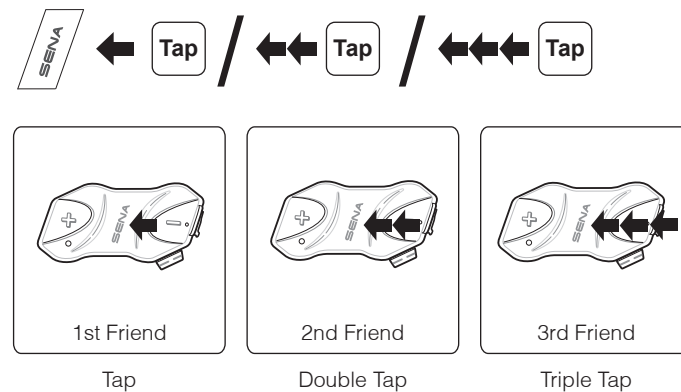
0 ~ 30%



Headset Pairing Intercom

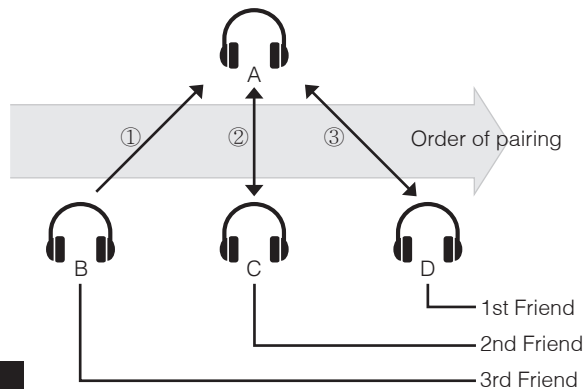


Start Intercom



Multiple Headset Pairing Intercom

Last Come, First Served



End Intercom



A full version of the manual is downloadable at www.sena.com.



Sena Technologies, Inc.

www.sena.com

Customer Support : support.senablueetooth.com

Tel : 408-300-9797 E-mail : support@sena.com